

LED Street Light Performer

Features

- Optimized light distribution
- High lumen output, anti-glare
- Lightweight, 5.9Kg design for 60W
- Surge protection up to 10 kV

Benefits

- Illuminate different sized roads and accommodate different lamppost layouts
- No dark spaces, luminaires won't blind drivers
- Easy to install, can be secured to any lamppost
- Safe for outdoor use, weather resistant

Application



Specification

Item Code	Item Description	Power (W)	Power Factor	Lumen (lm)	Efficacy (lm/W)	Input Current (mA)	Beam Angle (°)	CRI	CCT (K)	Lifetime (L70B50)	MOQ (pcs)
140050654	LEDStreetlight-P 60W-3000-120D-GY-GP	60	0.95	5700	95	290	120	≥80	3000	50000	100
140050655	LEDStreetlight-P 60W-4000-120D-GY-GP	60	0.95	5820	97	290	120	≥75	4000	50000	100
140050656	LEDStreetlight-P 60W-5000-120D-GY-GP	60	0.95	6000	100	290	120	≥70	5000	50000	100
140050657	LEDStreetlight-P 100W-3000-120D-GY-GP	100	0.95	9500	95	480	120	≥80	3000	50000	100
140050658	LEDStreetlight-P 100W-4000-120D-GY-GP	100	0.95	9700	97	480	120	≥75	4000	50000	100
140050659	LEDStreetlight-P 100W-5000-120D-GY-GP	100	0.95	10000	100	480	120	≥70	5000	50000	100
140050660	LEDStreetlight-P 120W-3000-120D-GY-GP	120	0.98	11400	95	580	120	≥80	3000	50000	100
140050661	LEDStreetlight-P 120W-4000-120D-GY-GP	120	0.98	11640	97	580	120	≥75	4000	50000	100
140050662	LEDStreetlight-P 120W-5000-120D-GY-GP	120	0.98	12000	100	580	120	≥70	5000	50000	100
140050663	LEDStreetlight-P 150W-3000-120D-GY-GP	150	0.98	14250	95	720	120	≥80	3000	50000	100
140050664	LEDStreetlight-P 150W-4000-120D-GY-GP	150	0.98	14550	97	720	120	≥75	4000	50000	100
140050665	LEDStreetlight-P 150W-5000-120D-GY-GP	150	0.98	15000	100	720	120	≥70	5000	50000	100
140050666	LEDStreetlight-P 200W-3000-120D-GY-GP	200	0.98	19000	95	960	120	≥80	3000	50000	100
140050667	LEDStreetlight-P 200W-4000-120D-GY-GP	200	0.98	19500	97	960	120	≥75	4000	50000	100
140050668	LEDStreetlight-P 200W-5000-120D-GY-GP	200	0.98	20000	100	960	120	≥70	5000	50000	100

Technical Specifications

On / Off Cycles	50,000
Colour Consistency (SDCM)	5
Dimmable	No
Finishing Colour	Grey
IP	66
IK	08
Driver Integrated (Yes/No)	Yes
Glow Wire Test	650°C
Driver Failure Rate	1% at 5000h
Weight (kg/pc)	5.9/5.9/7.5/7.5/9.4

Electrical Supply

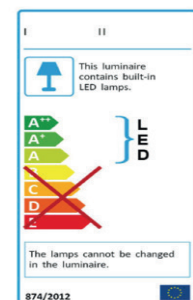
Frequency (Hz)	50 / 60
Voltage (V)	220-240
AC/DC	AC

Mechanical Properties

Housing Material	Die cast Aluminium
Optical Material	PC

Application Conditions

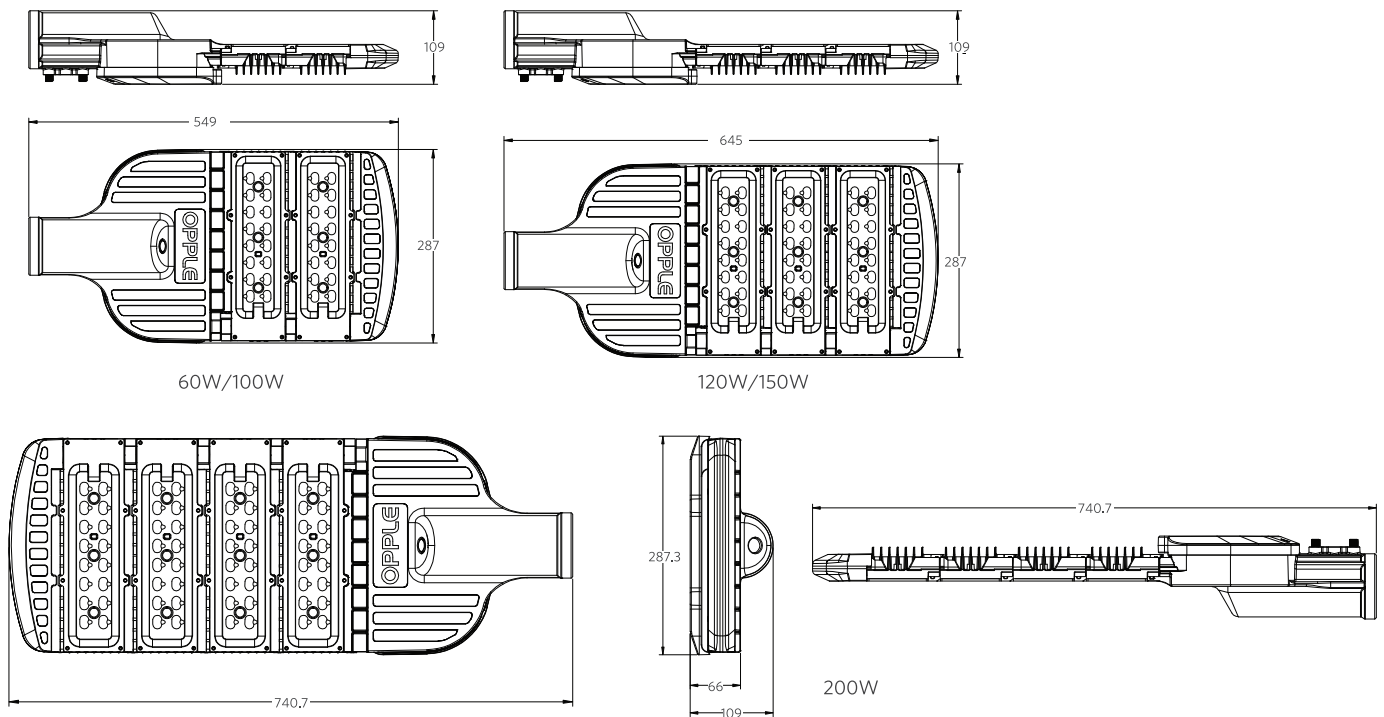
Operating Temperature	-30-50°C
Application Temperature	45°C
Storage Environment	-40-60°C



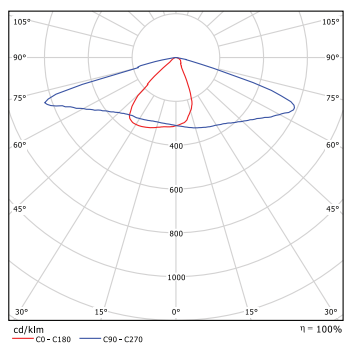
Packaging Information

Item		Packaging Unit(1pc/unit)	
Item Code	Item Description	Dimensions(mm) (LxWxH)	Gross Weight (kg)
140050654	LEDStreetlight-P 60W-3000-120D-GY-GP	640x340x172	6.40
140050655	LEDStreetlight-P 60W-4000-120D-GY-GP	640x340x172	6.40
140050656	LEDStreetlight-P 60W-5000-120D-GY-GP	640x340x172	6.40
140050657	LEDStreetlight-P 100W-3000-120D-GY-GP	640x340x172	6.40
140050658	LEDStreetlight-P 100W-4000-120D-GY-GP	640x340x172	6.40
140050659	LEDStreetlight-P 100W-5000-120D-GY-GP	640x340x172	6.40
140050660	LEDStreetlight-P 120W-3000-120D-GY-GP	737x340x172	8.00
140050661	LEDStreetlight-P 120W-4000-120D-GY-GP	737x340x172	8.00
140050662	LEDStreetlight-P 120W-5000-120D-GY-GP	737x340x172	8.00
140050663	LEDStreetlight-P 150W-3000-120D-GY-GP	737x340x172	8.00
140050664	LEDStreetlight-P 150W-4000-120D-GY-GP	737x340x172	8.00
140050665	LEDStreetlight-P 150W-5000-120D-GY-GP	737x340x172	8.00
140050666	LEDStreetlight-P 200W-3000-120D-GY-GP	947x365x167	11.00
140050667	LEDStreetlight-P 200W-4000-120D-GY-GP	947x365x167	11.00
140050668	LEDStreetlight-P 200W-5000-120D-GY-GP	947x365x167	11.00

Dimensional Drawing



Photometric Data



120°(60W/100W/120W/150W/200W)