

## LED Spotlight Track EcoMax

### Features

- High quality and economical LED chips with exquisite optical lens
- Aluminum housing ensure better thermal control
- Flexible adjustment horizontally and vertically

### Benefits

- Uniform light beam with clean beam angle
- Efficient LED chips work with comfortable light
- Flexible to highlight the displayed goods from various angle

### Application



Home



Hotel



Restaurant



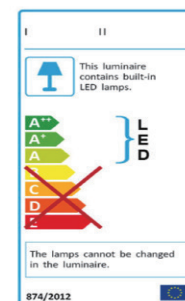
Retail

### Specification

Item Code	Item Description	Power (W)	Power Factor	Lumen (lm)	Efficacy (lm/W)	Input Current (mA)	CRI (Ra)	CCT (K)	Lifetime (L70B50)	MOQ (pcs)
140059297	LEDSpotTR-E 7W-3000K-15D-WH-GP	7	0.5	500	71	67	≥80	3000	30Khrs	480
140059298	LEDSpotTR-E 7W-4000K-15D-WH-GP	7	0.5	500	71	67	≥80	4000	30Khrs	480
140059299	LEDSpotTR-E 7W-3000K-24D-WH-GP	7	0.5	500	71	67	≥80	3000	30Khrs	480
140059300	LEDSpotTR-E 7W-4000K-24D-WH-GP	7	0.5	500	71	67	≥80	4000	30Khrs	480
140059301	LEDSpotTR-E 7W-3000K-40D-WH-GP	7	0.5	500	71	67	≥80	3000	30Khrs	480
140059302	LEDSpotTR-E 7W-4000K-40D-WH-GP	7	0.5	500	71	67	≥80	4000	30Khrs	480
140059303	LEDSpotTR-E 12W-3000K-15D-WH-GP	12	0.5	800	67	102	≥80	3000	30Khrs	480
140059304	LEDSpotTR-E 12W-4000K-15D-WH-GP	12	0.5	800	67	102	≥80	4000	30Khrs	480
140059305	LEDSpotTR-E 12W-3000K-24D-WH-GP	12	0.5	800	67	102	≥80	3000	30Khrs	480
140059306	LEDSpotTR-E 12W-4000K-24D-WH-GP	12	0.5	800	67	102	≥80	4000	30Khrs	480
140059307	LEDSpotTR-E 12W-3000K-40D-WH-GP	12	0.5	800	67	102	≥80	3000	30Khrs	480
140059308	LEDSpotTR-E 12W-4000K-40D-WH-GP	12	0.5	800	67	102	≥80	4000	30Khrs	480
140059309	LEDSpotTR-E 18W-3000K-15D-WH-GP	12	0.5	800	67	86	≥80	3000	30Khrs	480
140059310	LEDSpotTR-E 18W-4000K-15D-WH-GP	18	0.9	1300	72	86	≥80	4000	30Khrs	300
140059311	LEDSpotTR-E 18W-3000K-24D-WH-GP	18	0.9	1300	72	86	≥80	3000	30Khrs	300
140059312	LEDSpotTR-E 18W-4000K-24D-WH-GP	18	0.9	1300	72	86	≥80	4000	30Khrs	300
140059313	LEDSpotTR-E 18W-3000K-40D-WH-GP	18	0.9	1300	72	86	≥80	3000	30Khrs	300
140059314	LEDSpotTR-E 18W-4000K-40D-WH-GP	18	0.9	1300	72	86	≥80	4000	30Khrs	300
140059315	LEDSpotTR-E 24W-3000K-15D-WH-GP	24	0.9	1700	71	112	≥80	3000	30Khrs	300
140059316	LEDSpotTR-E 24W-4000K-15D-WH-GP	24	0.9	1700	71	112	≥80	4000	30Khrs	300
140059317	LEDSpotTR-E 24W-3000K-24D-WH-GP	24	0.9	1700	71	112	≥80	3000	30Khrs	300
140059318	LEDSpotTR-E 24W-4000K-24D-WH-GP	24	0.9	1700	71	112	≥80	4000	30Khrs	300
140059319	LEDSpotTR-E 24W-3000K-40D-WH-GP	24	0.9	1700	71	112	≥80	3000	30Khrs	300
140059320	LEDSpotTR-E 24W-4000K-40D-WH-GP	24	0.9	1700	71	112	≥80	4000	30Khrs	300

Technical Specifications	
On / Off Cycles	50,000
Colour Consistency (SDCM)	<6
Dimmable	No
Beam Angle (°)	15/24/40
Finishing Colour	White
IP	IP20
IK	IK02
Driver Integrated (Yes/No)	Yes
Glow Wire Test	650°C
Driver Failure Rate	1% at 5000h
Weight (kg/pc)	0.25/0.53/0.89

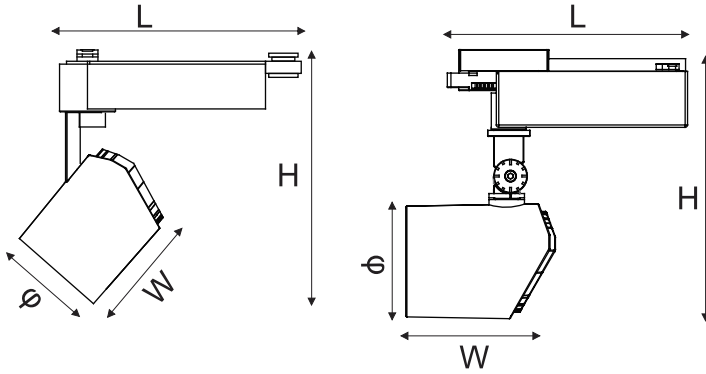
Electrical Supply	
Frequency (Hz)	50/60
Voltage (V)	220-240
AC/DC	AC
Mechanical Properties	
Housing Material	Aluminum
Optical Material	PC
Application Conditions	
Operating Temperature	-25-50°C
Application Temperature	25°C
Storage Environment	-25-50°C



## Packaging Information

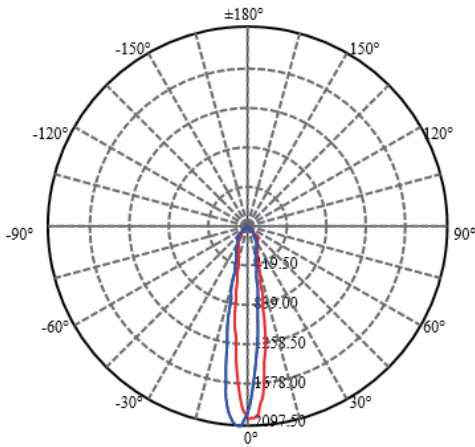
Item		Single Box(1pc/box)		Packaging Unit (48pcs/unit)		
Item Code	Item Description	Dimensions(mm) (LxWxH)	Gross Weight (kg)	Dimensions(mm) (LxWxH)	Gross Weight (kg)	Packing Qty (pcs/CTN)
140059297	LEDspotTR-E 7W-3000K-15D-WH-GP	185*145*75	0.41	455*388*170	4.92	12
140059298	LEDspotTR-E 7W-4000K-15D-WH-GP	185*145*75	0.41	455*388*170	4.92	12
140059299	LEDspotTR-E 7W-3000K-24D-WH-GP	185*145*75	0.41	455*388*170	4.92	12
140059300	LEDspotTR-E 7W-4000K-24D-WH-GP	185*145*75	0.41	455*388*170	4.92	12
140059301	LEDspotTR-E 7W-3000K-40D-WH-GP	185*145*75	0.41	455*388*170	4.92	12
140059302	LEDspotTR-E 7W-4000K-40D-WH-GP	185*145*75	0.41	455*388*170	4.92	12
140059303	LEDspotTR-E 12W-3000K-15D-WH-GP	185*145*75	0.41	455*388*170	4.92	12
140059304	LEDspotTR-E 12W-4000K-15D-WH-GP	185*145*75	0.41	455*388*170	4.92	12
140059305	LEDspotTR-E 12W-3000K-24D-WH-GP	185*145*75	0.41	455*388*170	4.92	12
140059306	LEDspotTR-E 12W-4000K-24D-WH-GP	185*145*75	0.41	455*388*170	4.92	12
140059307	LEDspotTR-E 12W-3000K-40D-WH-GP	185*145*75	0.41	455*388*170	4.92	12
140059308	LEDspotTR-E 12W-4000K-40D-WH-GP	185*145*75	0.41	455*388*170	4.92	12
140059309	LEDspotTR-E 18W-3000K-15D-WH-GP	230*178*95	0.777	480*380*300	9.32	12
140059310	LEDspotTR-E 18W-4000K-15D-WH-GP	230*178*95	0.777	480*380*300	9.32	12
140059311	LEDspotTR-E 18W-3000K-24D-WH-GP	230*178*95	0.777	480*380*300	9.32	12
140059312	LEDspotTR-E 18W-4000K-24D-WH-GP	230*178*95	0.777	480*380*300	9.32	12
140059313	LEDspotTR-E 18W-3000K-40D-WH-GP	230*178*95	0.777	480*380*300	9.32	12
140059314	LEDspotTR-E 18W-4000K-40D-WH-GP	230*178*95	0.777	480*380*300	9.32	12
140059315	LEDspotTR-E 24W-3000K-15D-WH-GP	250*232*115	1.286	520*484*370	15.43	12
140059316	LEDspotTR-E 24W-4000K-15D-WH-GP	250*232*115	1.286	520*484*370	15.43	12
140059317	LEDspotTR-E 24W-3000K-24D-WH-GP	250*232*115	1.286	520*484*370	15.43	12
140059318	LEDspotTR-E 24W-4000K-24D-WH-GP	250*232*115	1.286	520*484*370	15.43	12
140059319	LEDspotTR-E 24W-3000K-40D-WH-GP	250*232*115	1.286	520*484*370	15.43	12
140059320	LEDspotTR-E 24W-4000K-40D-WH-GP	250*232*115	1.286	520*484*370	15.43	12

## Dimensional Drawing

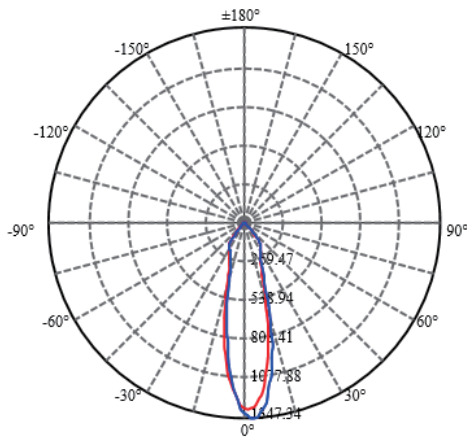


Model	Φ (mm)	L (mm)	W (mm)	H (mm)
LED SP-TR-E 7W-GP	57	169	80	142
LED SP-TR-E 12W-GP	57	169	80	142
LED SP-TR-E 18W-GP	73	157	96	165
LED SP-TR-E 24W-GP	92	210	126	212

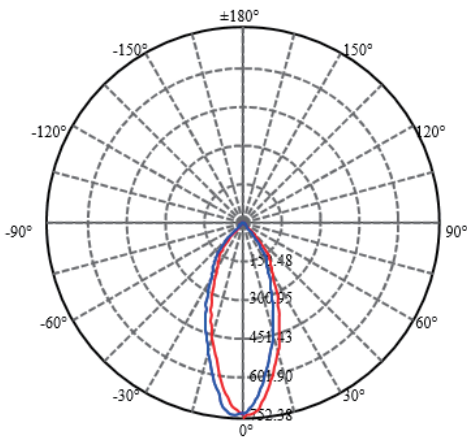
## Photometric Data



15D



24D



40D