



## LED Slim Panel EcoMax Power III

### Features

- As thin as 9mm
- Long lifespan combined with high flux and efficacy
- Multiple sizes and installation possibilities

### Benefits

- Sleek and thin panel can be perfectly merged with ceiling once installed
- Build a comfortable lighting environment of easier maintenance and more energy-saving
- Different product sizes for different application, fitted with various accessories

### Application



Library



Shopping Mall



Office



Hospital



Conference Room



School

### Specification

Item Code	Item Description	Power (W)	Power Factor	Lumen (lm)	Efficacy (lm/W)	Input Current (mA)	Lifetime (L70B50)	MOQ (pcs)
542004024310	LEDSPanelRc-SL Sq595-40W-3000-WH-GP III	40	0.95	4000	100	220	30000	1000
542004024410	LEDSPanelRc-SL Sq595-40W-4000-WH-GP III	40	0.95	4000	100	220	30000	1000
542004024510	LEDSPanelRc-SL Sq595-40W-6500-WH-GP III	40	0.95	4000	100	220	30000	1000
542004024610	LEDSPanelRc-SL Re295-40W-3000-WH-GP III	40	0.95	4000	100	220	30000	1000
542004024710	LEDSPanelRc-SL Re295-40W-4000-WH-GP III	40	0.95	4000	100	220	30000	1000
542004024810	LEDSPanelRc-SL Re295-40W-6500-WH-GP III	40	0.95	4000	100	220	30000	1000
542004024910	LEDSPanelRc-SL Sq603-40W-3000-WH-GP III	40	0.95	4000	100	220	30000	1000
542004025010	LEDSPanelRc-SL Sq603-40W-4000-WH-GP III	40	0.95	4000	100	220	30000	1000
542004025110	LEDSPanelRc-SL Sq603-40W-6500-WH-GP III	40	0.95	4000	100	220	30000	1000

### Accessory

Item Code	Item Description	Packaging Unit		MOQ
		Carton Dimensions(mm) (LxWxH)	Note	
542098009110	LEDSPanel 40W Driver	220X180X155	20pcs/ctn	1000
542098009210	LEDSPanel 40W Driver 100-240V	220X180X155	20pcs/ctn	1000
542098007310	LEDSPANEL Clip	280*200*120	4pcs/bag ;40pcs/ctn	1000
542098007410	LEDSPANEL Suspended Rope	360*280*140	2pcs/bag; 50pcs/ctn	1000
542098009310	LEDSPanelRc-EII Sq595-Surface Module-WH	603*39*605	1pcs/box;4pcs/ctn	1000

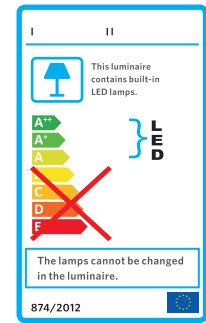
Technical Specifications	
CRI	≥80
Colour Consistency (SDCM)	6
Housing Colour	White
On/Off Cycles	100,000
Colour Consistency (SDCM)	6
Dimmable	No
Beam Angle(°)	120°
Housing Colour	White
IP	IP40
IK	IK02
Driver integrated (Yes/No)	No
Glow Wire Test	650°C
Driver failure rate	1% at 5000h
Weight (pc/kg)	595*595 2.0
	295*1195 2.4
	603*603 2.2

Electrical Supply	
Frequency (Hz)	50/60
Voltage (V)	220-240
AC/DC	AC

Mechanical Properties	
Housing Material	PC
Optical Material	MS

Application Conditions	
Operating Temperature	-25-50°C
Application Temperature	25°C
Storage Environment	-25-50°C

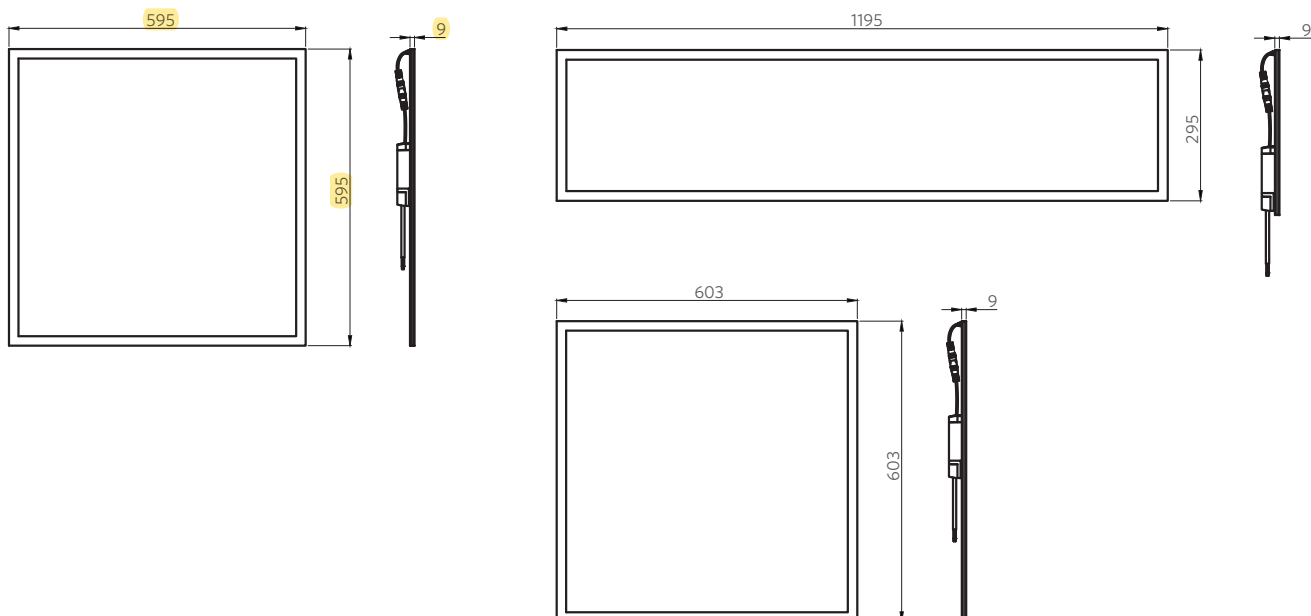
CB



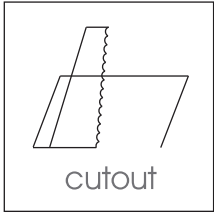
## Packaging Information

Item Code	Item Description	Single Box(1pc/box)		Packaging Unit		
		Dimensions(mm) (LxWxH)	Gross Weight (kg)	Dimensions(mm) (LxWxH)	Gross Weight (kg)	packing Qty (kg)
542004024310	LEDSPanelRc-SL Sq595-40W-3000-WH-GP III	660*600*38	2.2	735*210*680	14.00	5
542004024410	LEDSPanelRc-SL Sq595-40W-4000-WH-GP III	660*600*38	2.2	735*210*680	14.00	5
542004024510	LEDSPanelRc-SL Sq595-40W-6500-WH-GP III	660*600*38	2.2	735*210*680	14.00	5
542004024610	LEDSPanelRc-SL Re295-40W-3000-WH-GP III	1260*300*38	2.25	1335*170*380	12.00	4
542004024710	LEDSPanelRc-SL Re295-40W-4000-WH-GP III	1260*300*38	2.25	1335*170*380	12.00	4
542004024810	LEDSPanelRc-SL Re295-40W-6500-WH-GP III	1260*300*38	2.25	1335*170*380	12.00	4
542004024910	LEDSPanelRc-SL Sq603-40W-3000-WH-GP III	670*608*38	2.2	745*210*690	14.00	5
542004025010	LEDSPanelRc-SL Sq603-40W-4000-WH-GP III	670*608*38	2.2	745*210*690	14.00	5
542004025110	LEDSPanelRc-SL Sq603-40W-6500-WH-GP III	670*608*38	2.2	745*210*690	14.00	5

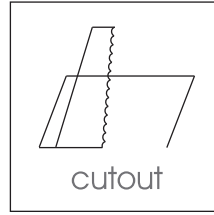
## Dimensional Drawing



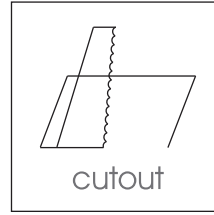
## Cut-out Drawing



585X585  
(595X595)

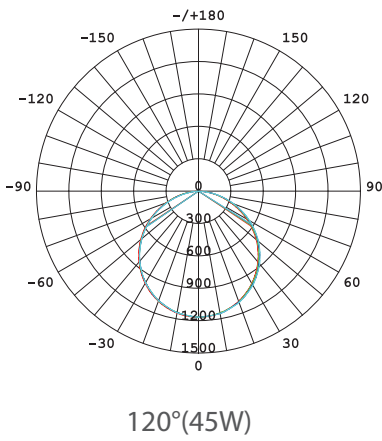


590X590  
(603X603)



285X1185  
(295X1195)

## Photometric Data



### OPPLE SHANGHAI OFFICE

Building V3, The Mixc, 1799 Wuzhong Road,  
Minhang District, Shanghai, China  
ZIP: 201103

**T** +86 21 3855 0000

**E** intersales@opple.com

[WWW.OPPLE.COM/EN](http://WWW.OPPLE.COM/EN)