



LED Slim Panel EcoMax Power III

Features

- As thin as 9mm
- Long lifespan combined with high flux and efficacy
- Multiple sizes and installation possibilities

Benefits

- Sleek and thin panel can be perfectly merged with ceiling once installed
- Build a comfortable lighting environment of easier maintenance and more energy-saving
- Different product sizes for different application, fitted with various accessories

Application



Library



Shopping Mall



Office



Hospital



Conference Room



School

Specification

Item Code	Item Description	Power (W)	Power Factor	Lumen (lm)	Efficacy (lm/W)	Input Current (mA)	Lifetime (L70B50)	MOQ (pcs)
542004024310	LEDSPanelRc-SL Sq595-40W-3000-WH-GP III	40	0.95	4000	100	220	30000	1000
542004024410	LEDSPanelRc-SL Sq595-40W-4000-WH-GP III	40	0.95	4000	100	220	30000	1000
542004024510	LEDSPanelRc-SL Sq595-40W-6500-WH-GP III	40	0.95	4000	100	220	30000	1000
542004024610	LEDSPanelRc-SL Re295-40W-3000-WH-GP III	40	0.95	4000	100	220	30000	1000
542004024710	LEDSPanelRc-SL Re295-40W-4000-WH-GP III	40	0.95	4000	100	220	30000	1000
542004024810	LEDSPanelRc-SL Re295-40W-6500-WH-GP III	40	0.95	4000	100	220	30000	1000
542004024910	LEDSPanelRc-SL Sq603-40W-3000-WH-GP III	40	0.95	4000	100	220	30000	1000
542004025010	LEDSPanelRc-SL Sq603-40W-4000-WH-GP III	40	0.95	4000	100	220	30000	1000
542004025110	LEDSPanelRc-SL Sq603-40W-6500-WH-GP III	40	0.95	4000	100	220	30000	1000

Accessory

Item Code	Item Description	Packaging Unit		MOQ
		Carton Dimensions(mm) (LxWxH)	Note	
542098009110	LEDSPanel 40W Driver	220X180X155	20pcs/ctn	1000
542098009210	LEDSPanel 40W Driver 100-240V	220X180X155	20pcs/ctn	1000
542098007310	LEDSPANEL Clip	280*200*120	4pcs/bag ;40pcs/ctn	1000
542098007410	LEDSPANEL Suspended Rope	360*280*140	2pcs/bag; 50pcs/ctn	1000
542098009310	LEDSPanelRc-EII Sq595-Surface Module-WH	603*39*605	1pcs/box;4pcs/ctn	1000

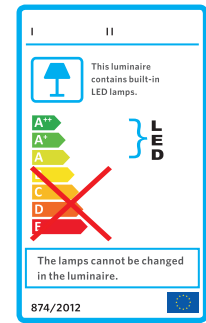
Technical Specifications	
CRI	≥80
Colour Consistency (SDCM)	6
Housing Colour	White
On/Off Cycles	100,000
Colour Consistency (SDCM)	6
Dimmable	No
Beam Angle(°)	120°
Housing Colour	White
IP	IP40
IK	IK02
Driver integrated (Yes/No)	No
Glow Wire Test	650°C
Driver failure rate	1% at 5000h
Weight (pc/kg)	595*595 2.0
	295*1195 2.4
	603*603 2.2

Electrical Supply	
Frequency (Hz)	50/60
Voltage (V)	220-240
AC/DC	AC

Mechanical Properties	
Housing Material	PC
Optical Material	MS

Application Conditions	
Operating Temperature	-25-50°C
Application Temperature	25°C
Storage Environment	-25-50°C

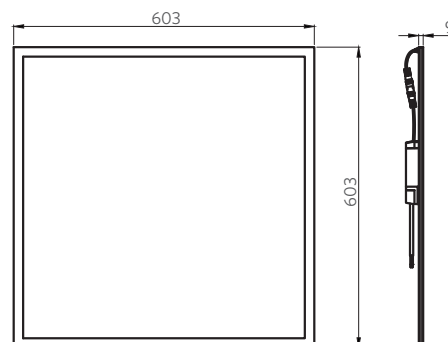
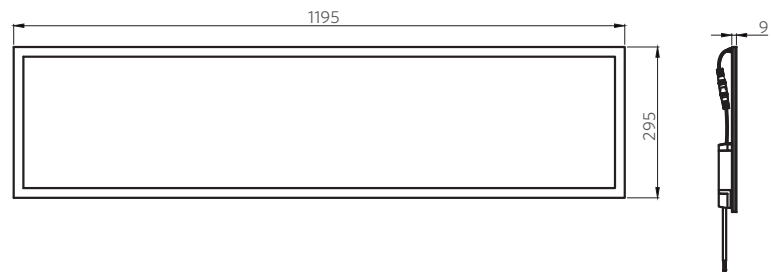
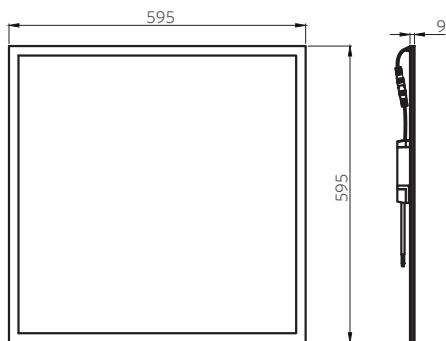
CB



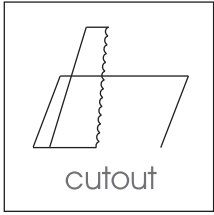
Packaging Information

Item Code	Item Description	Single Box(1pc/box)		Packaging Unit		
		Dimensions(mm) (LxWxH)	Gross Weight (kg)	Dimensions(mm) (LxWxH)	Gross Weight (kg)	packing Qty (kg)
542004024310	LEDSPanelRc-SL Sq595-40W-3000-WH-GP III	660*600*38	2.2	735*210*680	14.00	5
542004024410	LEDSPanelRc-SL Sq595-40W-4000-WH-GP III	660*600*38	2.2	735*210*680	14.00	5
542004024510	LEDSPanelRc-SL Sq595-40W-6500-WH-GP III	660*600*38	2.2	735*210*680	14.00	5
542004024610	LEDSPanelRc-SL Re295-40W-3000-WH-GP III	1260*300*38	2.25	1335*170*380	12.00	4
542004024710	LEDSPanelRc-SL Re295-40W-4000-WH-GP III	1260*300*38	2.25	1335*170*380	12.00	4
542004024810	LEDSPanelRc-SL Re295-40W-6500-WH-GP III	1260*300*38	2.25	1335*170*380	12.00	4
542004024910	LEDSPanelRc-SL Sq603-40W-3000-WH-GP III	670*608*38	2.2	745*210*690	14.00	5
542004025010	LEDSPanelRc-SL Sq603-40W-4000-WH-GP III	670*608*38	2.2	745*210*690	14.00	5
542004025110	LEDSPanelRc-SL Sq603-40W-6500-WH-GP III	670*608*38	2.2	745*210*690	14.00	5

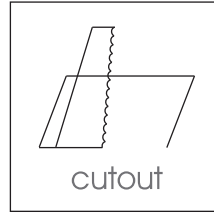
Dimensional Drawing



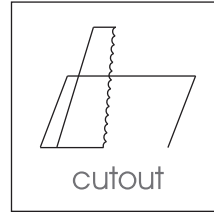
Cut-out Drawing



585X585
(595X595)

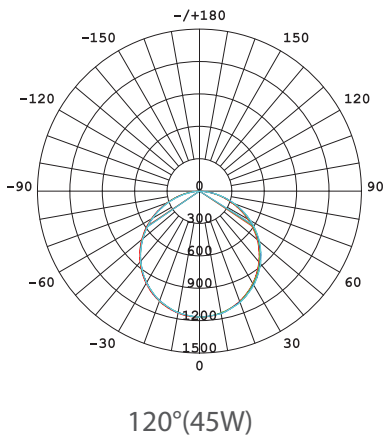


590X590
(603X603)



285X1185
(295X1195)

Photometric Data



OPPLE SHANGHAI OFFICE

Building V3, The Mixc, 1799 Wuzhong Road,
Minhang District, Shanghai, China
ZIP: 201103

T +86 21 3855 0000

E intersales@opple.com

WWW.OPPLE.COM/EN