



LED Highbay Performer III

Features

- Up to 125lm/W
- Fin heat sink design for good thermal control
- Multiple beam angle options: 60°,100°,or 60°+100°
- Variety of installation options-hook, pole or bracket
- IP65 protection rating

Benefits

- Easily replace conventional high bays, up to 70% energy savings
- 50,000 hours lifespan, 5 times longer than metal halide high bays'
- Accommodate various applications
- Flexible installation, easily replace existing fixtures
- Water and dust proof, adaptable in rough environment

Application



Specification

Item Code	Item Description	Power (W)	Power Factor	Lumen (lm)	Efficacy (lm/W)	Input Current (mA)	Lifetime (L70B50)	MOQ (pcs)
140059753	LEDHighbay-P3 40W-4000-60D-GY-GP	40	0.95	4250	105	185	50000	100
140059754	LEDHighbay-P3 40W-4000-100D-GY-GP	40	0.95	4250	105	185	50000	100
140059755	LEDHighbay-P3 40W-4000-60+100D-GY-GP	40	0.95	4250	105	185	50000	100
140059756	LEDHighbay-P3 40W-5700-60D-GY-GP	40	0.95	4500	113	185	50000	100
140059757	LEDHighbay-P3 40W-5700-100D-GY-GP	40	0.95	4500	113	185	50000	100
140059758	LEDHighbay-P3 40W-5700-60+100D-GY-GP	40	0.95	4500	113	185	50000	100
140059759	LEDHighbay-P3 80W-4000-60D-GY-GP	80	0.95	9200	115	370	50000	100
140059760	LEDHighbay-P3 80W-4000-100D-GY-GP	80	0.95	9200	115	370	50000	100
140059761	LEDHighbay-P3 80W-4000-60+100D-GY-GP	80	0.95	9200	115	370	50000	100
140059762	LEDHighbay-P3 80W-5700-60D-GY-GP	80	0.95	10000	125	370	50000	100
140059763	LEDHighbay-P3 80W-5700-100D-GY-GP	80	0.95	10000	125	370	50000	100
140059764	LEDHighbay-P3 80W-5700-60+100D-GY-GP	80	0.95	10000	125	370	50000	100
140059765	LEDHighbay-P3 120W-4000-60D-GY-GP	120	0.95	13800	115	520	50000	100
140059766	LEDHighbay-P3 120W-4000-100D-GY-GP	120	0.95	13800	115	520	50000	100
140059767	LEDHighbay-P3 120W-4000-60+100D-GY-GP	120	0.95	13800	115	520	50000	100
140059768	LEDHighbay-P3 120W-5700-60D-GY-GP	120	0.95	15000	125	520	50000	100
140059769	LEDHighbay-P3 120W-5700-100D-GY-GP	120	0.95	15000	125	520	50000	100
140059770	LEDHighbay-P3 120W-5700-60+100D-GY-GP	120	0.95	15000	125	520	50000	100
140059771	LEDHighbay-P3 160W-4000-60D-GY-GP	160	0.95	18400	115	720	50000	100
140059772	LEDHighbay-P3 160W-4000-100D-GY-GP	160	0.95	18400	115	720	50000	100
140059773	LEDHighbay-P3 160W-4000-60+100D-GY-GP	160	0.95	18400	115	720	50000	100
140059774	LEDHighbay-P3 160W-5700-60D-GY-GP	160	0.95	20000	125	720	50000	100
140059775	LEDHighbay-P3 160W-5700-100D-GY-GP	160	0.95	20000	125	720	50000	100
140059776	LEDHighbay-P3 160W-5700-60+100D-GY-GP	160	0.95	20000	125	720	50000	100

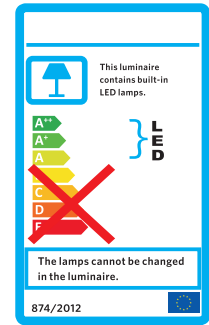
Technical Specifications	
On/Off Cycles	50000
Colour Consistency (SDCM)	<7
Dimmable	No
Beam Angle(°)	60/100/60+100
Housing Colour	Grey
IP	IP65
IK	IK08
Driver integrated (Yes/No)	Yes
Glow wire test	650°C
Driver failure rate	1% at 5000h
Weight (kg/pc)	3.82/ 4.20/4.20/6.00

Electrical Supply	
Frequency (Hz)	50/60
Voltage (V)	220-240
AC / DC	AC

Mechanical Properties	
Housing Material	Die-cast Aluminium
Optical Material	PC

Application Conditions	
Operating Temperature	-35-45°C
Storage Environment	-35-65°C

CB



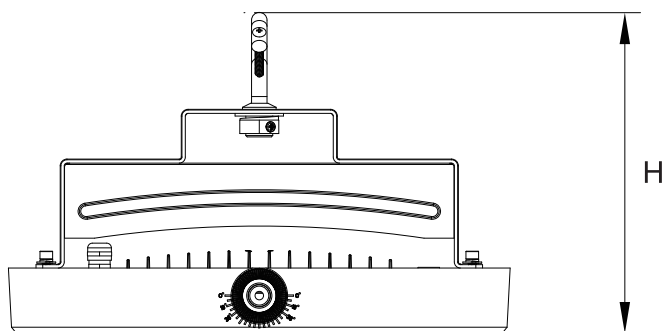
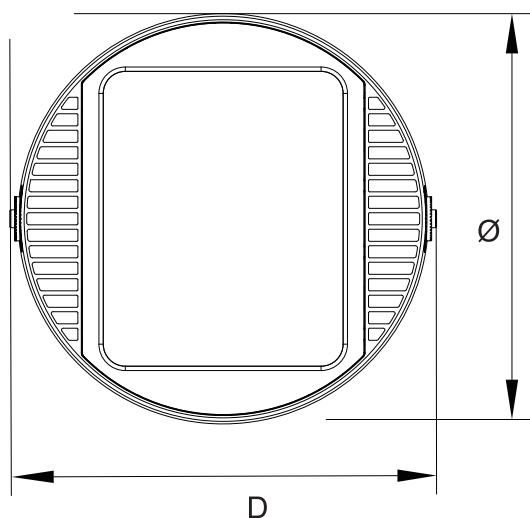
Packaging Information

Item		Packaging Unit (1pc/unit)	
Item Code	Item Description	Dimensions(mm) (LxWxH)	Gross Weight (kg)
140059753	LEDHighbay-P3 40W-4000-60D-GY-GP	376*357*273	5.22
140059754	LEDHighbay-P3 40W-4000-100D-GY-GP	376*357*273	5.22
140059755	LEDHighbay-P3 40W-4000-60+100D-GY-GP	376*357*273	5.22
140059756	LEDHighbay-P3 40W-5700-60D-GY-GP	376*357*273	5.22
140059757	LEDHighbay-P3 40W-5700-100D-GY-GP	376*357*273	5.22
140059758	LEDHighbay-P3 40W-5700-60+100D-GY-GP	376*357*273	5.22
140059759	LEDHighbay-P3 80W-4000-60D-GY-GP	376*357*273	5.60
140059760	LEDHighbay-P3 80W-4000-100D-GY-GP	376*357*273	5.60
140059761	LEDHighbay-P3 80W-4000-60+100D-GY-GP	376*357*273	5.60
140059762	LEDHighbay-P3 80W-5700-60D-GY-GP	376*357*273	5.60
140059763	LEDHighbay-P3 80W-5700-100D-GY-GP	376*357*273	5.60
140059764	LEDHighbay-P3 80W-5700-60+100D-GY-GP	376*357*273	5.60
140059765	LEDHighbay-P3 120W-4000-60D-GY-GP	376*357*273	5.60
140059766	LEDHighbay-P3 120W-4000-100D-GY-GP	376*357*273	5.60
140059767	LEDHighbay-P3 120W-4000-60+100D-GY-GP	376*357*273	5.60
140059768	LEDHighbay-P3 120W-5700-60D-GY-GP	376*357*273	5.60
140059769	LEDHighbay-P3 120W-5700-100D-GY-GP	376*357*273	5.60
140059770	LEDHighbay-P3 120W-5700-60+100D-GY-GP	376*357*273	5.60
140059771	LEDHighbay-P3 160W-4000-60D-GY-GP	440*440*301	7.80
140059772	LEDHighbay-P3 160W-4000-100D-GY-GP	440*440*301	7.80
140059773	LEDHighbay-P3 160W-4000-60+100D-GY-GP	440*440*301	7.80
140059774	LEDHighbay-P3 160W-5700-60D-GY-GP	440*440*301	7.80
140059775	LEDHighbay-P3 160W-5700-100D-GY-GP	440*440*301	7.80
140059776	LEDHighbay-P3 160W-5700-60+100D-GY-GP	440*440*301	7.80



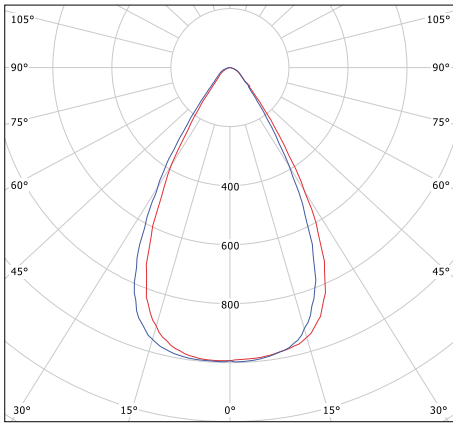
	Accessories	Weight(pc/kg)	MOQ (pcs)	Picture
140044049	Accessory for Pole-mounted Installation (40W/80W/120/160W)	0.58	100	
140060030	Accessory for Wall-mounted Installation (40W/80W/120W)	0.76	100	
140044050	Accessory for Wall-mounted Installation (160W)	0.90	100	

Dimensional Drawing

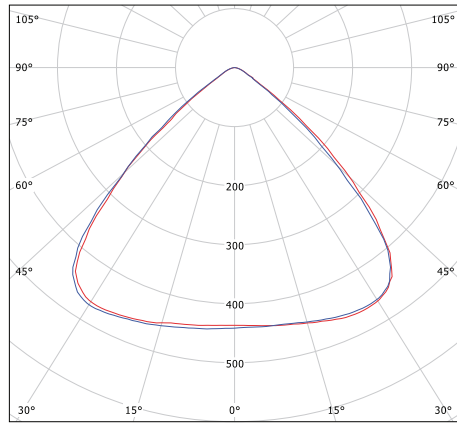


Type	ϕ (mm)	D(mm)	H(mm)
LED HB-P3 40W-GP	290	304	223
LED HB-P3 80W-GP	290	304	223
LED HB-P3 120W-GP	290	304	223
LED HB-P3 160W-GP	373	388	238

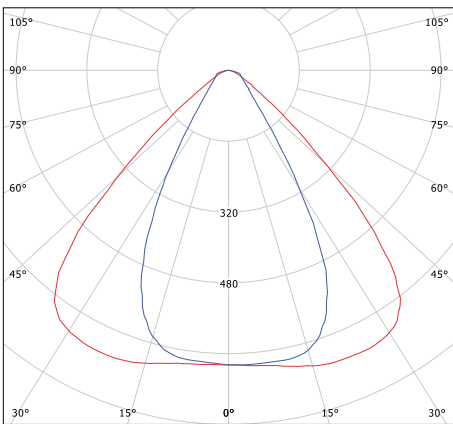
Photometric Data



60°(40W/80W/120W/160W)



100°(40W/80W/120W/160W)



60°+100°(40W/80W/120W/160W)