



## LED Downlight & Spotlight HS

### Features

- Clean beam
- Comfortable light
- Easy to use
- Energy saving

### Benefits

- Innovative TIR lens offers clean beam light free of multiple shadows for professional accent lighting
- Light without flicker reduces stress while working/living underneath
- Spring bracket ensure 1 step plug-and-play installation
- Up to 85% energy saving compared with 35W&50W halogen spot, perfect choice to replace traditional spot lamp

### Application



### Specification

Item Code	Item Description	Power (W)	Power Factor	Lumen (lm)	Efficacy (lm/W)	Input Current (mA)	CRI	CCT (K)	Lifetime (L70B50)	MOQ (pcs)
140053687	LEDSpotlightRc-HS R70-4.5W-3000-WH-GP	4.5	0.5	300	67	67	>80	3000	20000	1000
140053688	LEDSpotlightRc-HS R70-4.5W-4000-WH-GP	4.5	0.5	300	67	67	>80	4000	20000	1000
140053689	LEDSpotlightRc-HS R70-4.5W-5700-WH-GP	4.5	0.5	300	67	67	>80	5700	20000	1000
140053684	LEDDownlightRc-HS R70-4.5W-3000-WH-GP	4.5	0.5	250	56	56	>80	3000	20000	1000
140053685	LEDDownlightRc-HS R70-4.5W-4000-WH-GP	4.5	0.5	250	56	56	>80	4000	20000	1000
140053686	LEDDownlightRc-HS R70-4.5W-5700-WH-GP	4.5	0.5	250	56	56	>80	5700	20000	1000
140060674	LEDSpotRF-HS 7W-3000-36D-WH-GP	7	0.5	460	67	45	>80	3000	20000	1000
140060675	LEDSpotRF-HS 7W-4000-36D-WH-GP	7	0.5	460	67	45	>80	4000	20000	1000
140060676	LEDSpotRF-HS 7W-5700-36D-WH-GP	7	0.5	460	67	45	>80	5700	20000	1000
140060671	LEDSpotRF-HS 7W-3000-36D-GD-GP	7	0.5	460	67	45	>80	3000	20000	1000
140060672	LEDSpotRF-HS 7W-4000-36D-GD-GP	7	0.5	460	67	45	>80	4000	20000	1000
140060673	LEDSpotRF-HS 7W-5700-36D-GD-GP	7	0.5	460	67	45	>80	5700	20000	1000
140060668	LEDSpotRF-HS 7W-3000-36D-SL-GP	7	0.5	460	67	45	>80	3000	20000	1000
140060669	LEDSpotRF-HS 7W-4000-36D-SL-GP	7	0.5	460	67	45	>80	4000	20000	1000
140060670	LEDSpotRF-HS 7W-5700-36D-SL-GP	7	0.5	460	67	45	>80	5700	20000	1000
140062765	LEDSpotlightRA-HS R70-4.5W-3000-WH-GP	4.5	0.5	300	67	40	>80	3000	20000	1000
140062766	LEDSpotlightRA-HS R70-4.5W-4000-WH-GP	4.5	0.5	330	73	40	>80	4000	20000	1000
140062767	LEDSpotlightRA-HS R70-4.5W-5700-WH-GP	4.5	0.5	330	73	40	>80	5700	20000	1000
140063432	LEDSpotlightRA-HS R70-4.5W-3000-GD-GP	4.5	0.5	300	67	40	>80	3000	20000	1000
140063433	LEDSpotlightRA-HS R70-4.5W-4000-GD-GP	4.5	0.5	330	73	40	>80	4000	20000	1000
140063434	LEDSpotlightRA-HS R70-4.5W-5700-GD-GP	4.5	0.5	330	73	40	>80	5700	20000	1000
140063435	LEDSpotlightRA-HS R70-4.5W-3000-SL-GP	4.5	0.5	300	67	40	>80	3000	20000	1000
140063436	LEDSpotlightRA-HS R70-4.5W-4000-SL-GP	4.5	0.5	330	73	40	>80	4000	20000	1000
140063437	LEDSpotlightRA-HS R70-4.5W-5700-SL-GP	4.5	0.5	330	73	40	>80	5700	20000	1000
140063441	LEDSpotlightRA-HS R70-7W-3000-WH-GP	7	0.5	400	57	52	>80	3000	20000	1000
140063442	LEDSpotlightRA-HS R70-7W-4000-WH-GP	7	0.5	430	61	52	>80	4000	20000	1000
140063443	LEDSpotlightRA-HS R70-7W-5700-WH-GP	7	0.5	430	61	52	>80	5700	20000	1000
140063444	LEDSpotlightRA-HS R70-7W-3000-GD-GP	7	0.5	400	57	52	>80	3000	20000	1000
140063445	LEDSpotlightRA-HS R70-7W-4000-GD-GP	7	0.5	430	61	52	>80	4000	20000	1000
140063446	LEDSpotlightRA-HS R70-7W-5700-GD-GP	7	0.5	430	61	52	>80	5700	20000	1000
140063438	LEDSpotlightRA-HS R70-7W-3000-SL-GP	7	0.5	400	57	52	>80	3000	20000	1000
140063439	LEDSpotlightRA-HS R70-7W-4000-SL-GP	7	0.5	430	61	52	>80	4000	20000	1000
140063440	LEDSpotlightRA-HS R70-7W-5700-SL-GP	7	0.5	430	61	52	>80	5700	20000	1000

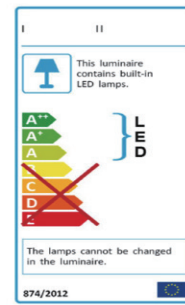
Technical Specifications	Downlight	Spotlight
On / Off Cycles	50000	50000
Colour Consistency (SDCM) ≤6	≤6	≤6
Dimmable	No	No
Beam Angle (°)	90	36
Finishing Colour	White	White/ Gold/ Silver
IP	IP20	IP20
Driver Integrated (Yes/No)	Yes	Yes
Driver Failure Rate	1% at 50000h	1% at 50000h
Weight (kg/pc)	0.056	0.072/ 0.08/ 0.09

Electrical Supply	Downlight	Spotlight
Frequency (Hz)	50/60	50/60
Voltage (V)	220-240V	220-240V
AC/DC	AC	AC

Mechanical Properties	Downlight	Spotlight
Housing Material	PC	PA+Aluminum
Optical Material	PMMA	PC

Application Conditions	Downlight	Spotlight
Operating Temperature	-10 ~ +40°C	-10 ~ +40°C
Application Temperature	25°C	25°C
Storage Environment	-25 ~ +50°C	-25 ~ +50°C

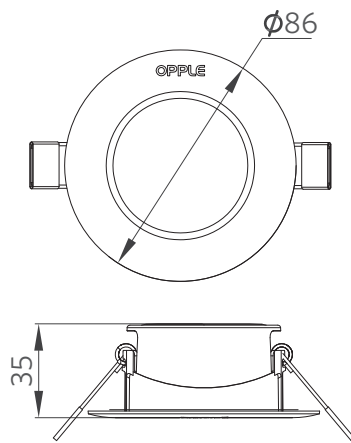
CE CB



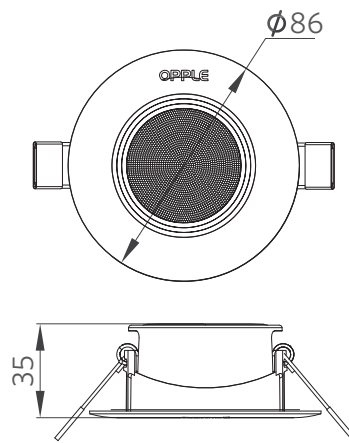
## Packaging Information

Item		Single Box(1pc/box)		Outer box		
Item Code	Item Description	Dimensions(mm) (LxWxH)	Gross Weight (kg)	Dimensions(mm) (LxWxH)	Gross Weight (kg)	BOX QTY (pcs/unit)
140053687	LEDSpotlightRc-HS R70-4.5W-3000-WH-GP	94*94*56	0.12	481*293*186	5.27	45
140053688	LEDSpotlightRc-HS R70-4.5W-4000-WH-GP	94*94*56	0.12	481*293*186	5.27	45
140053689	LEDSpotlightRc-HS R70-4.5W-5700-WH-GP	94*94*56	0.12	481*293*186	5.27	45
140053684	LEDDownlightRc-HS R70-4.5W-3000-WH-GP	94*94*56	0.10	481*293*186	4.55	45
140053685	LEDDownlightRc-HS R70-4.5W-4000-WH-GP	94*94*56	0.10	481*293*186	4.55	45
140053686	LEDDownlightRc-HS R70-4.5W-5700-WH-GP	94*94*56	0.10	481*293*186	4.55	45
140060674	LEDSpotRF-HS 7W-3000-36D-WH-GP	94*94*56	0.11	394*299*189	3.89	36
140060675	LEDSpotRF-HS 7W-4000-36D-WH-GP	94*94*56	0.11	394*299*189	3.89	36
140060676	LEDSpotRF-HS 7W-5700-36D-WH-GP	94*94*56	0.11	394*299*189	3.89	36
140060671	LEDSpotRF-HS 7W-3000-36D-GD-GP	94*94*56	0.11	394*299*189	3.89	36
140060672	LEDSpotRF-HS 7W-4000-36D-GD-GP	94*94*56	0.11	394*299*189	3.89	36
140060673	LEDSpotRF-HS 7W-5700-36D-GD-GP	94*94*56	0.11	394*299*189	3.89	36
140060668	LEDSpotRF-HS 7W-3000-36D-SL-GP	94*94*56	0.11	394*299*189	3.89	36
140060669	LEDSpotRF-HS 7W-4000-36D-SL-GP	94*94*56	0.11	394*299*189	3.89	36
140060670	LEDSpotRF-HS 7W-5700-36D-SL-GP	94*94*56	0.11	394*299*189	3.89	36
140062765	LEDSpotlightRA-HS R70-4.5W-3000-WH-GP	90*90*56	0.13	465*285*190	5.85	45
140062766	LEDSpotlightRA-HS R70-4.5W-4000-WH-GP	90*90*56	0.13	465*285*190	5.85	45
140062767	LEDSpotlightRA-HS R70-4.5W-5700-WH-GP	90*90*56	0.13	465*285*190	5.85	45
140063432	LEDSpotlightRA-HS R70-4.5W-3000-GD-GP	90*90*56	0.13	465*285*190	5.85	45
140063433	LEDSpotlightRA-HS R70-4.5W-4000-GD-GP	90*90*56	0.13	465*285*190	5.85	45
140063434	LEDSpotlightRA-HS R70-4.5W-5700-GD-GP	90*90*56	0.13	465*285*190	5.85	45
140063435	LEDSpotlightRA-HS R70-4.5W-3000-SL-GP	90*90*56	0.13	465*285*190	5.85	45
140063436	LEDSpotlightRA-HS R70-4.5W-4000-SL-GP	90*90*56	0.13	465*285*190	5.85	45
140063437	LEDSpotlightRA-HS R70-4.5W-5700-SL-GP	90*90*56	0.13	465*285*190	5.85	45
140063441	LEDSpotlightRA-HS R70-7W-3000-WH-GP	90*90*56	0.13	465*285*190	5.85	45
140063442	LEDSpotlightRA-HS R70-7W-4000-WH-GP	90*90*56	0.13	465*285*190	5.85	45
140063443	LEDSpotlightRA-HS R70-7W-5700-WH-GP	90*90*56	0.13	465*285*190	5.85	45
140063444	LEDSpotlightRA-HS R70-7W-3000-GD-GP	90*90*56	0.13	465*285*190	5.85	45
140063445	LEDSpotlightRA-HS R70-7W-4000-GD-GP	90*90*56	0.13	465*285*190	5.85	45
140063446	LEDSpotlightRA-HS R70-7W-5700-GD-GP	90*90*56	0.13	465*285*190	5.85	45
140063438	LEDSpotlightRA-HS R70-7W-3000-SL-GP	90*90*56	0.13	465*285*190	5.85	45
140063439	LEDSpotlightRA-HS R70-7W-4000-SL-GP	90*90*56	0.13	465*285*190	5.85	45
140063440	LEDSpotlightRA-HS R70-7W-5700-SL-GP	90*90*56	0.13	465*285*190	5.85	45

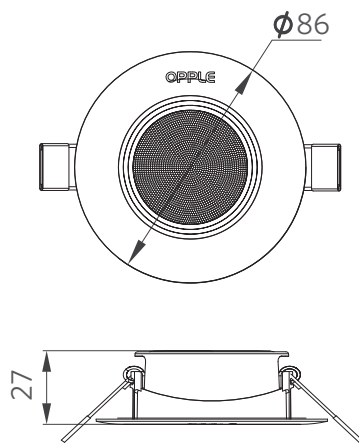
## Dimensional Drawing



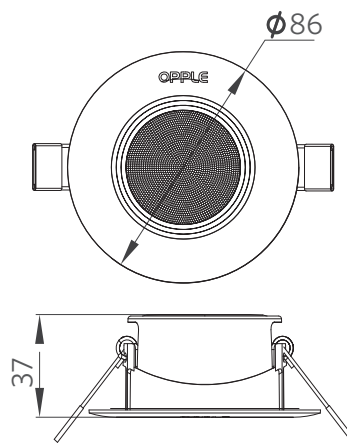
4.5W Downlight



4.5W Fixed Spotlight

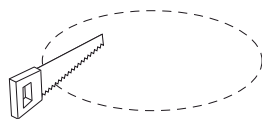


7W Fixed Spotlight



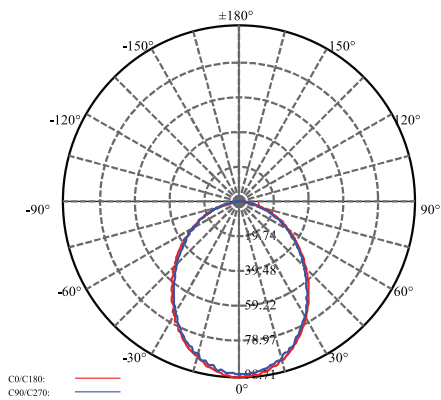
4.5W/7W Adjustable Spotlight

## Cut-out Drawing

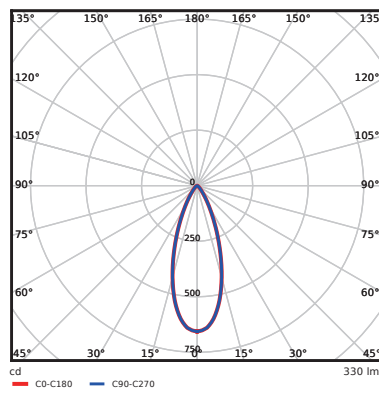


Ø70  
4.5W/7W

# Photometric Data



4.5W Downlight



4.5W/7W Spotlight