

LED Downlight HS

Features

- Clean Beam
- Easy to Use
- Energy Saving

Benefits

- Innovative TIR lens offers clean beam light free of multiple shadows for professional accent lighting
- Driver on board design ensure 1 step plug-and-play installation
- Up to 85% energy saving compared with 35W halogen spot

Application



Specification

Item Code	Item Description	Power (W)	Power Factor	Lumen (lm)	Efficacy (lm/W)	Input Current (mA)	CRI	CCK (K)	Lifetime (L70B50)	MOQ (pcs)
140053687	LEDSpotlightRc-HS R70-4.5W-3000-WH-GP	4.5	0.5	300	67	43	>80	3000K	20000	1000
140053688	LEDSpotlightRc-HS R70-4.5W-4000-WH-GP	4.5	0.5	300	67	43	>80	4000K	20000	1000
140053689	LEDSpotlightRc-HS R70-4.5W-5700-WH-GP	4.5	0.5	300	67	43	>80	5700K	20000	1000
140053684	LEDDownlightRc-HS R70-4.5W-3000-WH-GP	4.5	0.5	250	56	40	>80	3000K	20000	1000
140053685	LEDDownlightRc-HS R70-4.5W-4000-WH-GP	4.5	0.5	250	56	40	>80	4000K	20000	1000
140053686	LEDDownlightRc-HS R70-4.5W-5700-WH-GP	4.5	0.5	250	56	40	>80	5700K	20000	1000

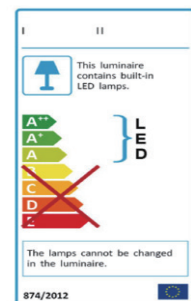
Technical Specifications	Downlight	Spotlight
On / Off Cycles	50,000	50,000
Colour Consistency (SDCM)	6	6
Dimmable	No	No
Beam Angle (°)	90°	36°
Finishing Colour	white	white
IP	IP20	IP20
Driver Integrated (Yes/No)	yes	yes
Driver Failure Rate	1% at 5000h	1% at 5000h
Weight (kg/pc)	0.056kg	0.072kg

Electrical Supply	Downlight	Spotlight
Frequency (Hz)	50 / 60	50 / 60
Voltage (V)	220-240	220-240
AC/DC	AC	AC

Mechanical Properties	Downlight	Spotlight
Housing Material	Aluminum	Aluminum
Optical Material	PMMA	PC

Application Conditions	Downlight	Spotlight
Operating Temperature	-25-45°C	-25-45°C
Application Temperature	25°C	25°C
Storage Environment	-25-50°C	-25-50°C

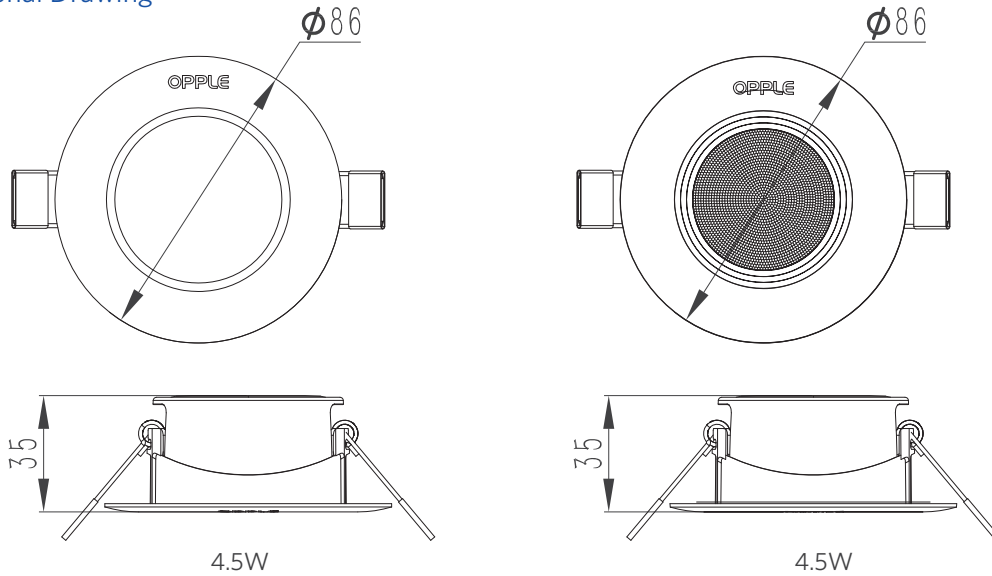
CE CB



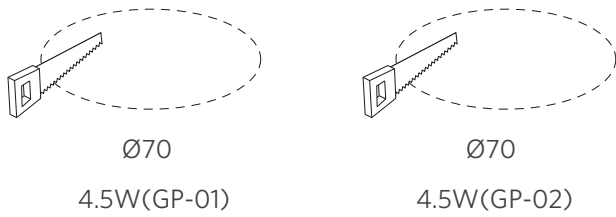
Packaging Information

Item		Single Box(1pc/box)		Packaging Unit		
Item Code	Item Description	Dimensions(mm) (LxWxH)	Gross Weight (kg)	Dimensions(mm) (LxWxH)	Gross Weight (kg)	Packing Qty (pcs/unit)
140053687	LEDSpotlightRc-HS R70-4.5W-3000-WH-GP	94x94x56mm	0.117	481x293x186mm	5.265	45
140053688	LEDSpotlightRc-HS R70-4.5W-4000-WH-GP	94x94x56mm	0.117	481x293x186mm	5.265	45
140053689	LEDSpotlightRc-HS R70-4.5W-5700-WH-GP	94x94x56mm	0.117	481x293x186mm	5.265	45
140053684	LEDDownlightRc-HS R70-4.5W-3000-WH-GP	94x94x56mm	0.101	481x293x186mm	4.545	45
140053685	LEDDownlightRc-HS R70-4.5W-4000-WH-GP	94x94x56mm	0.101	481x293x186mm	4.545	45
140053686	LEDDownlightRc-HS R70-4.5W-5700-WH-GP	94x94x56mm	0.101	481x293x186mm	4.545	45

Dimensional Drawing



Cut-out Drawing



Photometric Data

