



LED Downlight HR

Features

- Anti-glare Darklight reflector, UGR < 19
- High lumen efficacy, 100 lm/W
- Optimal heat management
- Broad range of sizes: 2.5", 3", 4", 6" or 8"

Benefits

- Glare free, visually comfortable light for working, living and learning
- Up to 60% energy savings compared to CFL
- Lasts 5 times longer than CFL
- Easily retrofit conventional fixtures with LED

Application



Office



Retail



Hotel



Hospital



Airport



Shopping Mall

Specification

Item Code	Item Description	Power (W)	Power Factor	Lumen (lm)	Efficacy (lm/W)	Input Current (mA)	Beam Angle (°)	CRI	UGR	CCT (K)	Lifetime (L70B50)	MOQ (pcs)
140048198	LEDDownlightRc-HR R82-5W-3000-WH-GP	5	0.70	330	66	30	75	≥ 80	19	3000	30Khrs	540
140048199	LEDDownlightRc-HR R82-5W-4000-WH-GP	5	0.70	370	74	30	75	≥ 80	19	4000	30Khrs	540
140047845	LEDDownlightRc-HR R82-5W-5700-WH-GP	5	0.70	400	80	30	75	≥ 80	19	5700	30Khrs	540
140048200	LEDDownlightRc-HR R100-6W-3000-WH-GP	6	0.70	430	72	40	75	≥ 80	19	3000	30Khrs	540
140048201	LEDDownlightRc-HR R100-6W-4000-WH-GP	6	0.70	480	80	40	75	≥ 80	19	4000	30Khrs	540
140048202	LEDDownlightRc-HR R100-6W-5700-WH-GP	6	0.70	520	87	40	75	≥ 80	19	5700	30Khrs	540
140048203	LEDDownlightRc-HR R120-9W-3000-WH-GP	9	0.70	700	78	70	75	≥ 80	19	3000	30Khrs	540
140048204	LEDDownlightRc-HR R120-9W-4000-WH-GP	9	0.70	750	83	70	75	≥ 80	19	4000	30Khrs	540
140047846	LEDDownlightRc-HR R120-9W-5700-WH-GP	9	0.70	800	89	70	75	≥ 80	19	5700	30Khrs	540
140049944	LEDDownlightRc-HRP R120-9W-3000-WH-GP	9	0.95	700	78	48	75	≥ 80	19	3000	30Khrs	540
140049945	LEDDownlightRc-HRP R120-9W-4000-WH-GP	9	0.95	800	89	48	75	≥ 80	19	4000	30Khrs	540
140049946	LEDDownlightRc-HRP R120-9W-5700-WH-GP	9	0.95	850	94	48	75	≥ 80	19	5700	30Khrs	540
140048205	LEDDownlightRc-HR R175-14W-3000-WH-GP	14	0.80	1220	87	90	80	≥ 80	19	3000	30Khrs	540
140048206	LEDDownlightRc-HR R175-14W-4000-WH-GP	14	0.80	1320	94	90	80	≥ 80	19	4000	30Khrs	540
140047847	LEDDownlightRc-HR R175-14W-5700-WH-GP	14	0.80	1410	101	90	80	≥ 80	19	5700	30Khrs	540
140049947	LEDDownlightRc-HRP R175-14W-3000-WH-GP	14	0.95	1100	79	70	80	≥ 80	19	3000	30Khrs	540
140049948	LEDDownlightRc-HRP R175-14W-4000-WH-GP	14	0.95	1200	86	70	80	≥ 80	19	4000	30Khrs	540
140049949	LEDDownlightRc-HRP R175-14W-5700-WH-GP	14	0.95	1400	100	70	80	≥ 80	19	5700	30Khrs	540
140048207	LEDDownlightRc-HR R210-29W-3000-WH-GP	29	0.95	2300	79	140	80	≥ 80	19	3000	30Khrs	320
140048208	LEDDownlightRc-HR R210-29W-4000-WH-GP	29	0.95	2500	86	140	80	≥ 80	19	4000	30Khrs	320
140047848	LEDDownlightRc-HR R210-29W-5700-WH-GP	29	0.95	2650	91	140	80	≥ 80	19	5700	30Khrs	320
140048209	LEDDownlightRc-HR R210-42W-3000-WH-GP	42	0.95	3400	81	210	80	≥ 80	19	3000	30Khrs	320
140048210	LEDDownlightRc-HR R210-42W-4000-WH-GP	42	0.95	3650	87	210	80	≥ 80	19	4000	30Khrs	320
140048211	LEDDownlightRc-HR R210-42W-5700-WH-GP	42	0.95	3900	93	210	80	≥ 80	19	5700	30Khrs	320

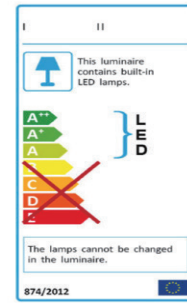
Technical Specifications	
On / Off Cycles	50,000
Colour Consistency (SDCM)	6
Dimmable	No
Finishing Colour	White
IP	IP20, IP44 for exposed parts
Driver Integrated (Yes/No)	No
Glow Wire Test	650°C
Driver Failure Rate	1% at 5000h
Weight (kg/pc)	0.21 / 0.27 / 0.43 / 0.39 / 0.73 / 0.71 / 1.2

Electrical Supply	
Frequency (Hz)	50/60
Voltage (V)	220-240
AC/DC	AC

Mechanical Properties	
Housing Material	Die-cast Aluminum
Optical Material	Aluminum Coated PC

Application Conditions	
Operating Temperature	-10-40°C
Application Temperature	25°C
Storage Environment	-25-50°C

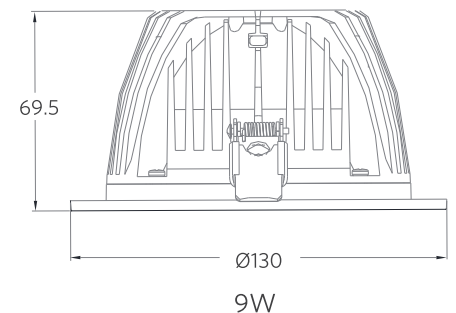
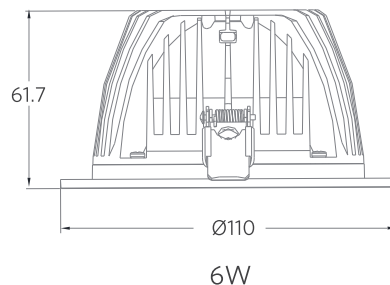
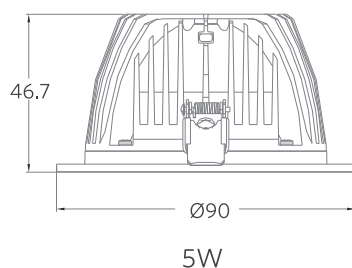
CE CB

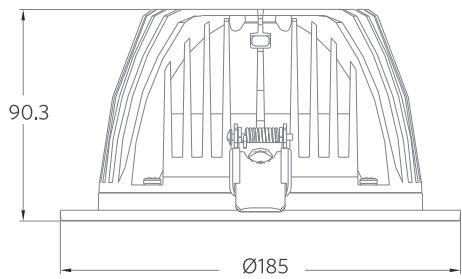


Packaging Information

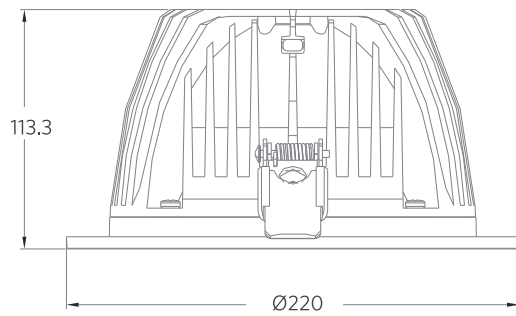
Item Code	Item Description	Single Box(1pc/box)		Packaging Unit		
		Dimensions(mm) (LxWxH)	Gross Weight (kg)	Dimensions(mm) (LxWxH)	Gross Weight (kg)	Packing Qty (pcs/unit)
140048198	LEDDownlightRc-HR R82-5W-3000-WH-GP	128x128x80	0.28	400x270x265	5.09	18
140048199	LEDDownlightRc-HR R82-5W-4000-WH-GP	128x128x80	0.28	400x270x265	5.09	18
140047845	LEDDownlightRc-HR R82-5W-5700-WH-GP	128x128x80	0.28	400x270x265	5.09	18
140048200	LEDDownlightRc-HR R100-6W-3000-WH-GP	150x150x93	0.41	465x315x305	7.42	18
140048201	LEDDownlightRc-HR R100-6W-4000-WH-GP	150x150x93	0.41	465x315x305	7.42	18
140048202	LEDDownlightRc-HR R100-6W-5700-WH-GP	150x150x93	0.41	465x315x305	7.42	18
140048203	LEDDownlightRc-HR R120-9W-3000-WH-GP	135x135x100	0.45	290x150x320	2.70	6
140048204	LEDDownlightRc-HR R120-9W-4000-WH-GP	135x135x100	0.45	290x150x320	2.70	6
140047846	LEDDownlightRc-HR R120-9W-5700-WH-GP	135x135x100	0.45	290x150x320	2.70	6
140049944	LEDDownlightRc-HRP R120-9W-3000-WH-GP	150x150x80	0.57	316x316x184	4.56	8
140049945	LEDDownlightRc-HRP R120-9W-4000-WH-GP	150x150x80	0.57	316x316x184	4.56	8
140049946	LEDDownlightRc-HRP R120-9W-5700-WH-GP	150x150x80	0.57	316x316x184	4.56	8
140048205	LEDDownlightRc-HR R175-14W-3000-WH-GP	188x188x120	0.96	584x396x140	5.76	6
140048206	LEDDownlightRc-HR R175-14W-4000-WH-GP	188x188x120	0.96	584x396x140	5.76	6
140047847	LEDDownlightRc-HR R175-14W-5700-WH-GP	188x188x120	0.96	584x396x140	5.76	6
140049947	LEDDownlightRc-HRP R175-14W-3000-WH-GP	210x210x102	1.07	436x436x228	8.56	8
140049948	LEDDownlightRc-HRP R175-14W-4000-WH-GP	210x210x102	1.07	436x436x228	8.56	8
140049949	LEDDownlightRc-HRP R175-14W-5700-WH-GP	210x210x102	1.07	436x436x228	8.56	8
140048207	LEDDownlightRc-HR R210-29W-3000-WH-GP	250x250x145	1.60	520x267x455	9.60	6
140048208	LEDDownlightRc-HR R210-29W-4000-WH-GP	250x250x145	1.60	520x267x455	9.60	6
140047848	LEDDownlightRc-HR R210-29W-5700-WH-GP	250x250x145	1.60	520x267x455	9.60	6
140048209	LEDDownlightRc-HR R210-42W-3000-WH-GP	250x250x145	1.60	520x267x455	9.60	6
140048210	LEDDownlightRc-HR R210-42W-4000-WH-GP	250x250x145	1.60	520x267x455	9.60	6
140048211	LEDDownlightRc-HR R210-42W-5700-WH-GP	250x250x145	1.60	520x267x455	9.60	6

Dimensional Drawing



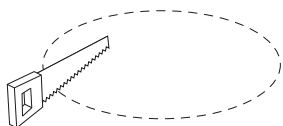


14W



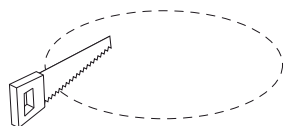
29W/42W

Cut-out Drawing



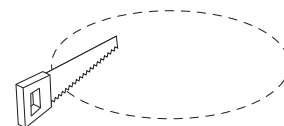
Ø82

5W



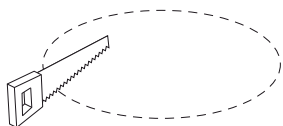
Ø100

6W



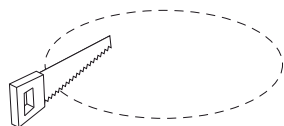
Ø120

9W



Ø175

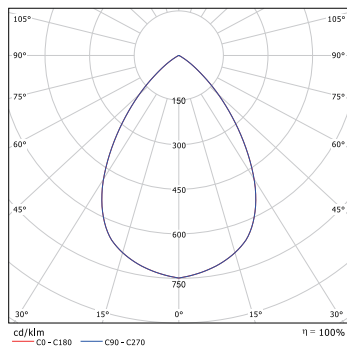
14W



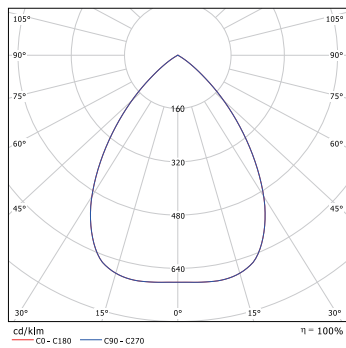
Ø210

29W/42W

Photometric Data



75°(5W/6W/9W)



80°(14W/29W/42W)